

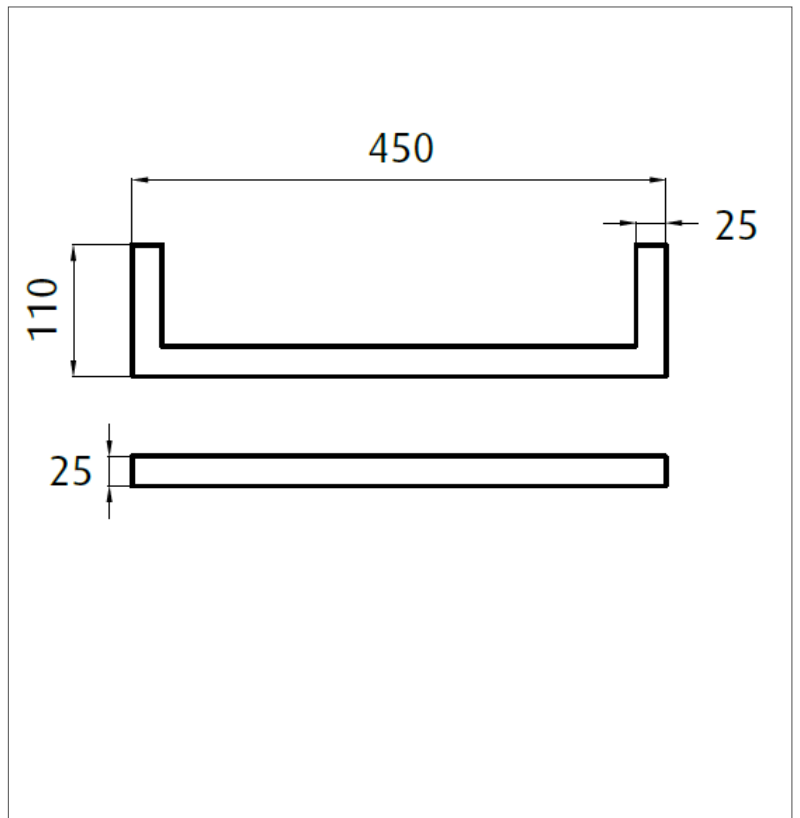
**Single rail - 450mm SQUARE**

Product code : HLF4511S

450 (w) x 25(h) x 110 (d) mm

**Features:**

Easy to install • Unique optional installation system for added strength  
Right-hand side hardwired only • 12V power design allows for installation almost anywhere in your bathroom.



Note: Manufacturing tolerances could cause variances of  $\pm 5$ mm.

**Additional Information**

- 9 watts
- 12Volts, 50Hz
- This rail should be installed in a landscape direction one on top of the other