

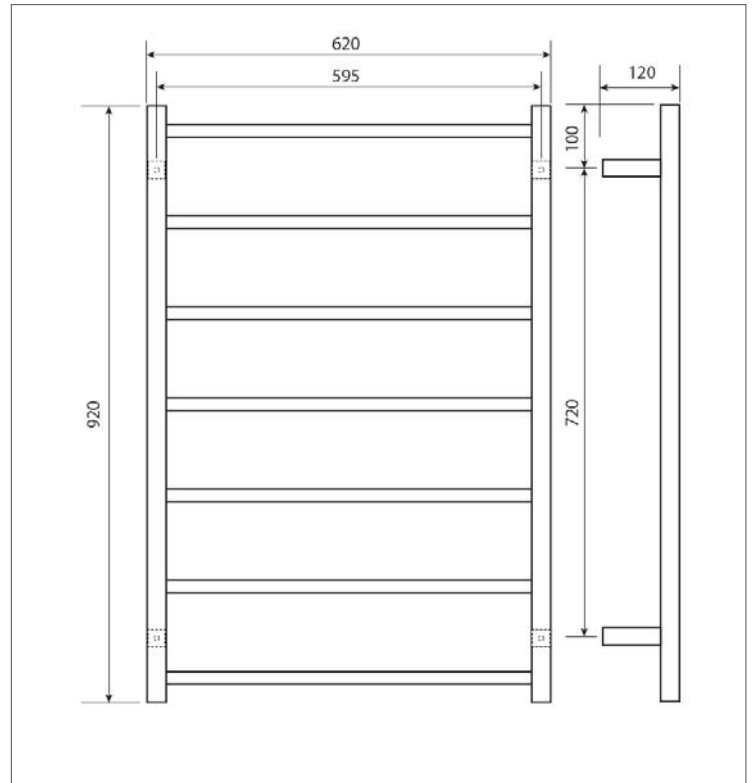
Commercial 7 bar ROUND

Product code : HTR-TR0701R / HTR-TR0701L

620(w) x 920(h) x 120(d) mm

Features:

- 7 bars
- Hand polished mirror finish
- High grade stainless steel
- Left & right hand cable options
- Fixing kit includes diamond drill bit



Note: Manufacturing tolerances could cause variances of ± 5 mm.

Additional Information

- 90 watts
- 230-240Volts, 50Hz single phase
- Class 1 appliance – requires an earth connection
- This rail should be mounted vertically with the cord exiting from the base.
- It should be positioned at least 600mm above the floor.
- Ingress Protection Rating: IP34 – Splashproof