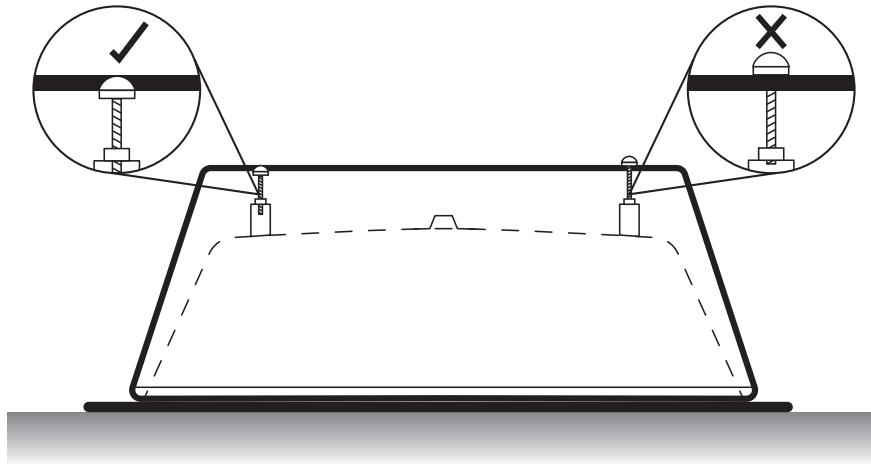
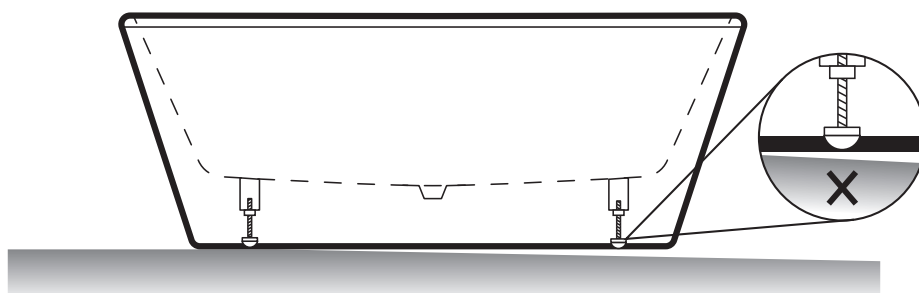
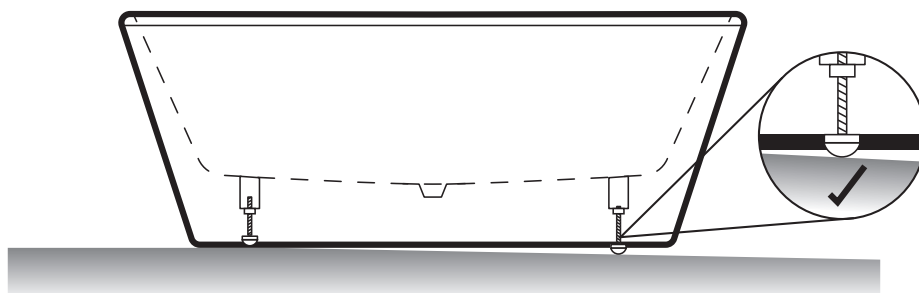
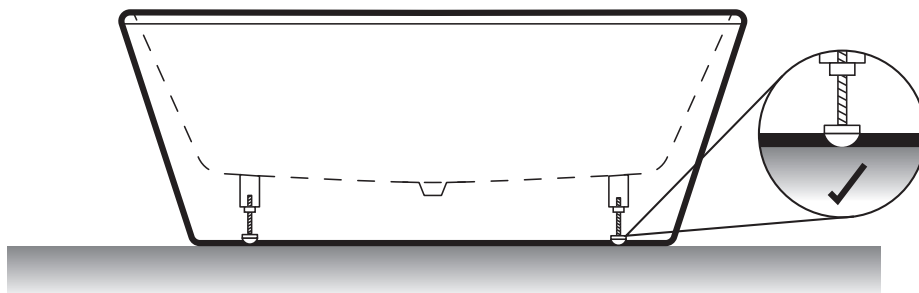


**FREESTANDING BATH – INSTALLATION INSTRUCTIONS**

**STEP 1** Assemble your new bath on a mat to protect it from any damage. Turn the bath upside down and check that all four legs are in line with the base of the bath.

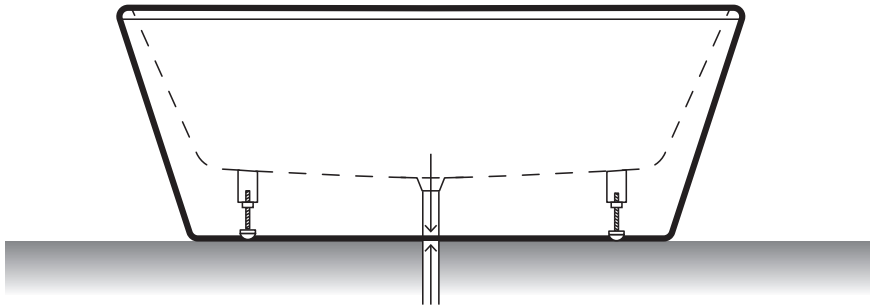


**STEP 2** Return the bath to its feet to check that the bath sits level and adjust legs to compensate for any variations in floor level if required.

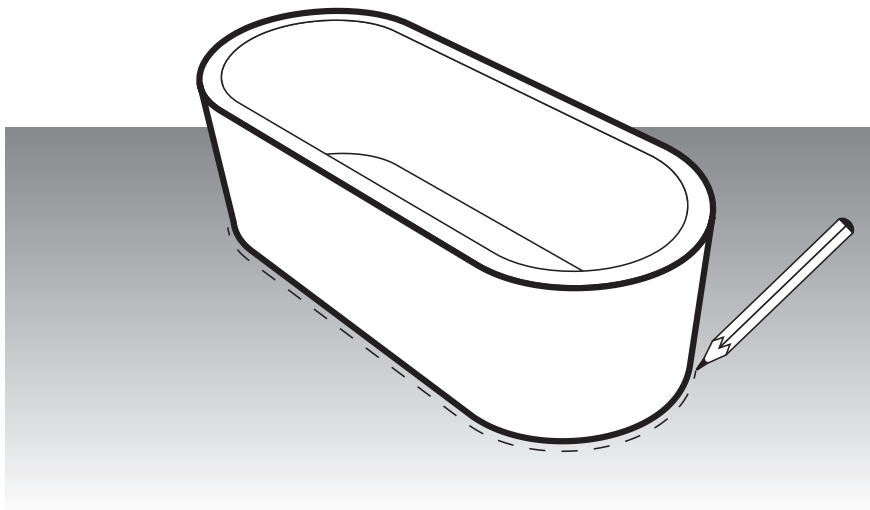


**FREESTANDING BATH – INSTALLATION INSTRUCTIONS**

**STEP 3** Place the bath in its final position and line up the waste connection with plumbing.



**STEP 4** Trace an outline of the bottom of the bath with a pencil.



**STEP 5** Using the appropriate silicone for the surface type, apply silicone inside the bath outline. Line the bath up with the outline and place the bath in position. Allow at least 24 hours for the silicone to set before using the bath.

