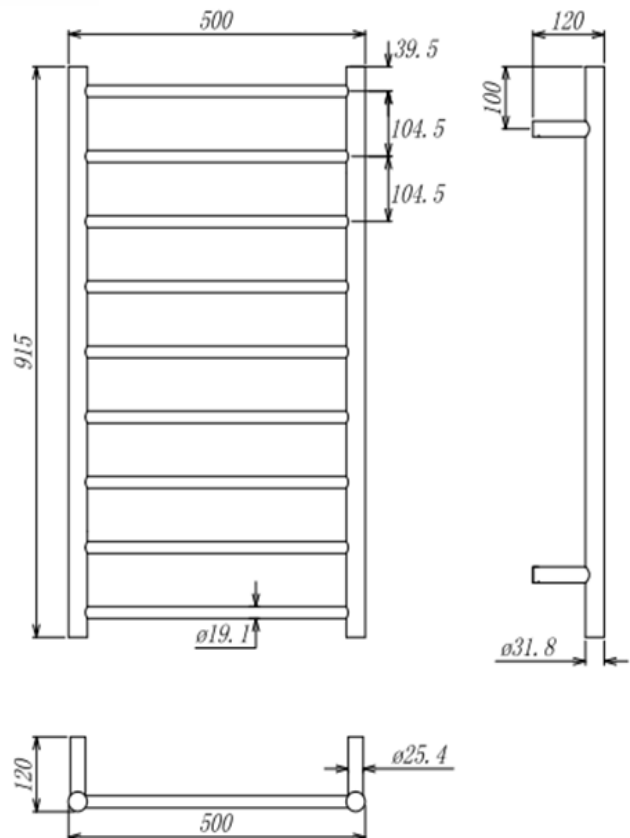
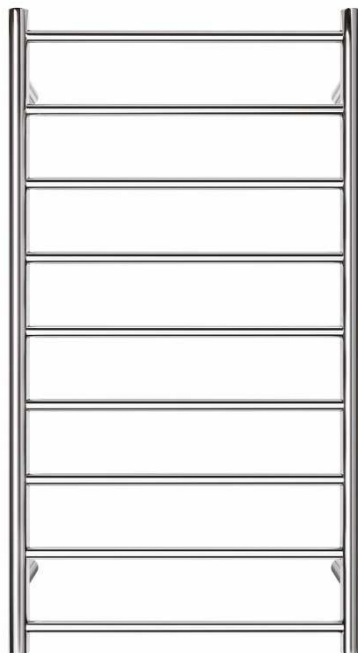


Detroit 9 Bar Non heated rail

Product code: TR-TRDETROIT9
500 (w) x 915 (h) x 120 (d)

Features:

- 9 bars
- Non heated
- 304 grade Stainless steel in polished finish
- Fixing kits includes diamond drill bit
- 5 year Warranty



Note: Manufacturing tolerances could cause variances of +/- 5mm

Additional Information:

- This rail should be mounted vertically
- It should be positioned at least 600mm above the floor