

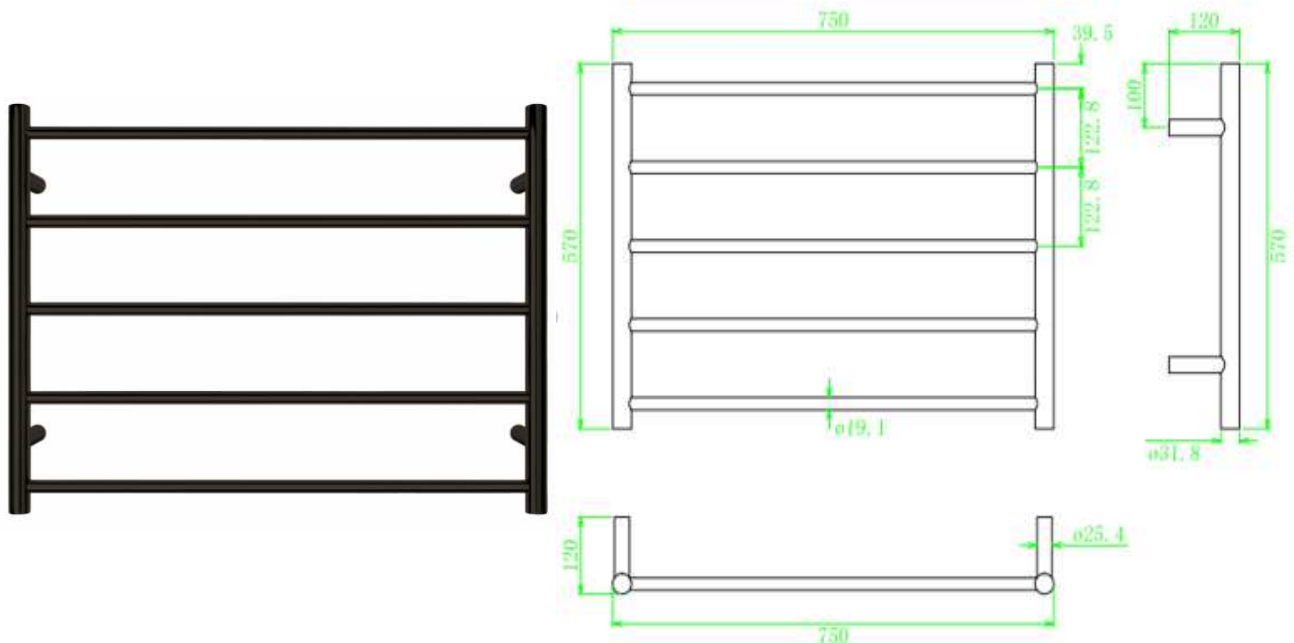
Boston Round Black 5 bar Heated rail

Product code: HTR-TRBOSTON5BLK

750 (w) x 570 (h) x 120 (d)

Features:

- 5 bars
- Heated towel rail
- 304 grade Stainless steel in polished finish
- Fixing kits includes diamond drill bit
- 2 year Warranty
- Multi connect cable plus separate molded plug and cable inside box



Note: Manufacturing tolerances could cause variances of +/- 5mm

Additional Information:

- 60 watts
- 230-240 Volts, 50Hz single phase
- Class 1 appliance – requires an earth connection
- This rail should be mounted vertically
- It should be positioned at least 600mm above the floor
- Ingress Protection rating: IP34 - Splashproof