

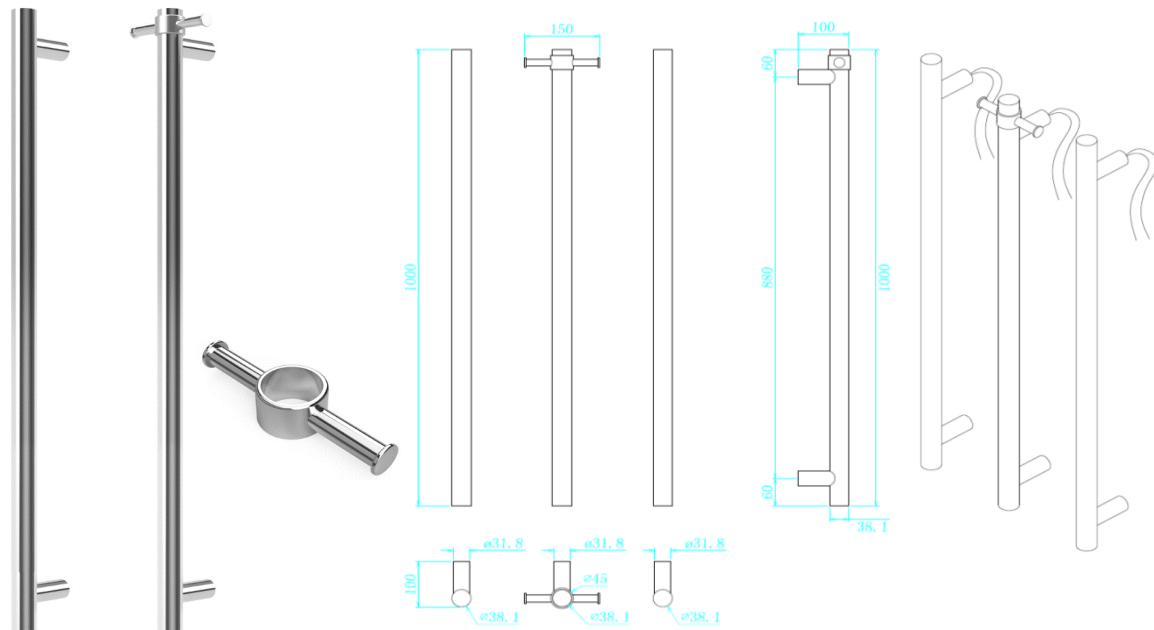
Vertical Bar Heated Towel Rail ROUND Polished Stainless Steel

Product Code: HTR-VERTSNGL

Dimensions: 150(w) x 1000(h) x 100(d) mm With Fitted Robe Hook
Dimensions: 38(w) x 1000(h) x 100(d) mm Without Fitted Robe Hook

Features:

- 1 Bar
- Robe Hook is included with each rail purchased
- 304 Grade Polished Stainless Steel



Note: Manufacturing tolerances could cause variances of ±5mm.

Additional Information:

- 12 Volt Electricity
- Top Wire Entry
- Heated Single Rails Sold Individually
- Recommended Spacing Between Rails is 70mm to 150mm
 - Minimum 1 – Maximum 4 Rails Per Transformer
- Transformer MUST Be Purchased Separately (1 x Transformer can operate between 1 to 4 rails)
- This towel rail should be mounted vertically at least 600mm above the floor with the power cord exiting from the top



Guaranteed against manufacturing defects



Stainless Steel



Fixing accessories included



Timer available