

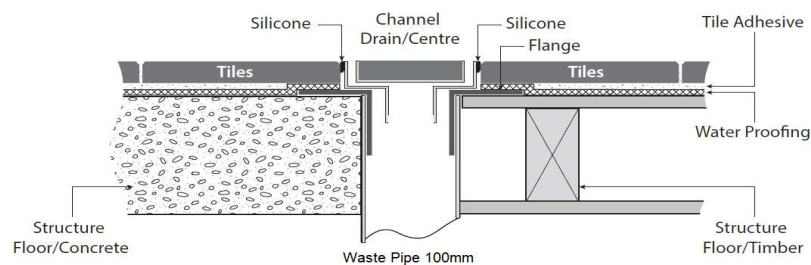
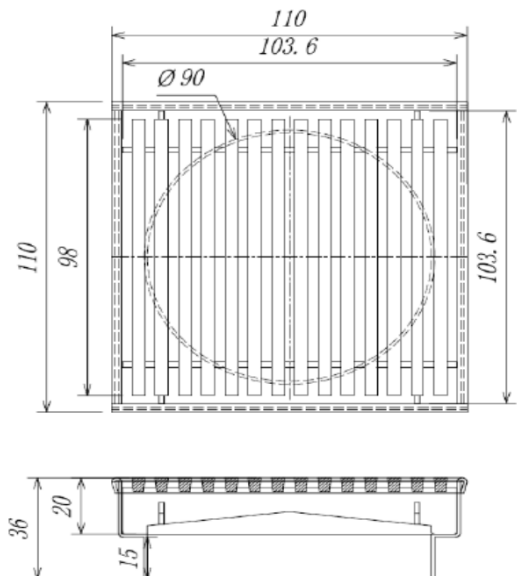
Stainless Steel Wastes - MESH

Black Satin - 90mm Outlet

Product Code: FD11XS90-MBS
Dimensions: 110(w) x 110(h) x 36(d) mm

Features:

- 90mm Centre Waste Outlet Only
- Black Satin Powder Coated Finish
- 316 Marine Grade Stainless Steel
- Tile Insert Waste Is Also Available
- Australian Water Mark Approved Certificate 23027



Note: Manufacturing tolerances could cause variances of ± 5 mm.



Guaranteed against manufacturing defects



Superior fall / Centre outlet



Stainless Steel



WaterMark Cert 23027