

MONT ALBERT VANITY ORDER FORM

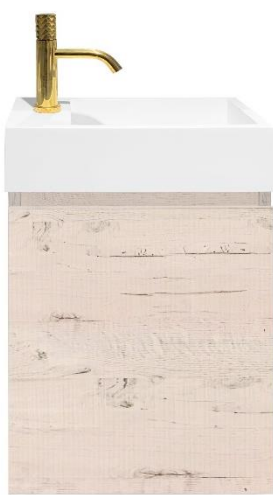


Customer name _____ Contact number _____

Salesperson _____ Store _____ QUOTE# OR PO# _____

Mont Albert wallhung – 400mm

- Fingerpull handle
- Solid back
- internal shelf
- Polymarble basin with side 1TH (reversible top – no overflow)
- Door hinged RHS only
- NB: Plug & waste (and tapware not included)

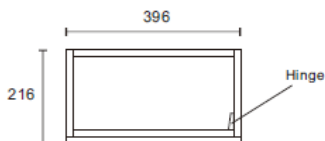
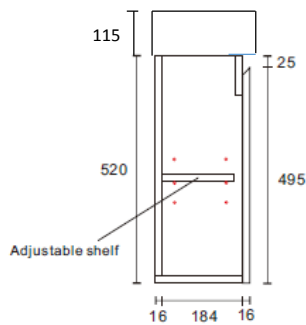
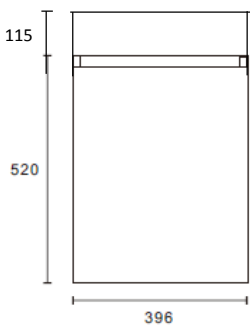


WALNUT

LIGHT ASH

DARK CHOC

WHITE GLOSS



Cabinet height – 520mm
Basin height – 115mm



Customer signature _____

Date _____

FORME AUSTRALIA PHONE 1300 62 11 51

EMAIL info@formeathroomcollection.com.au www.formebathroomcollection.com.au