

MONT ALBERT 600 WALL HUNG VANITY

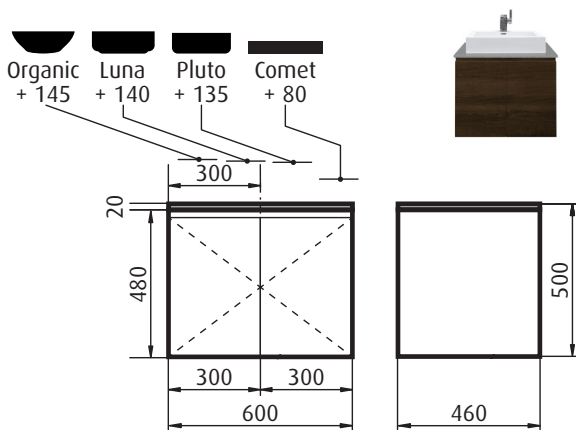
600 w X 465* h X 460 d

*Height excluding the Basin/Countertop

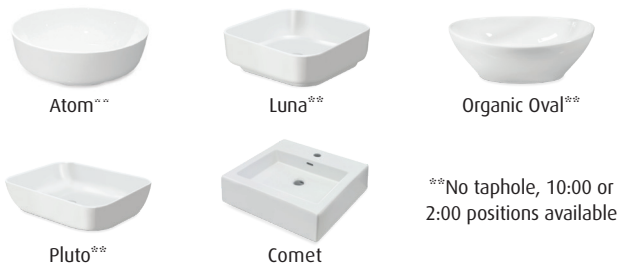
VANITY CABINET FINISH OPTIONS



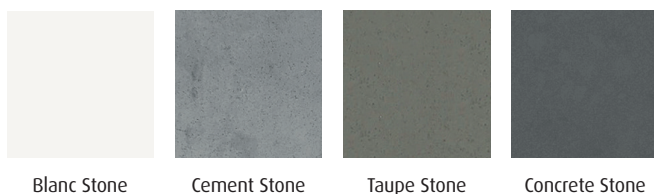
CERAMIC COUNTERTOP BASIN WITH ENGINEERED STONE TOP



Ceramic countertop basin options



Stone top colour options

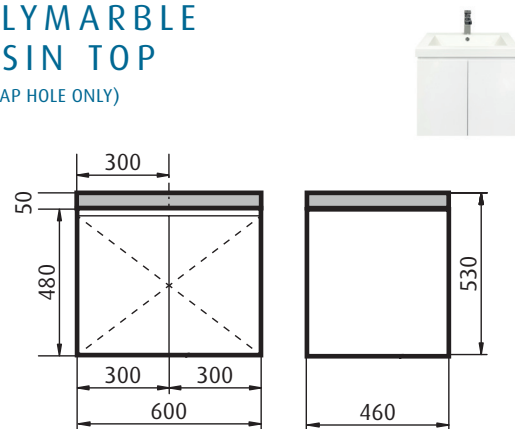


FEATURES

- Customisable colour, finish, basin choice, configuration, size and countertop
- 2 soft closing doors
- Fingerpull handle detail
- All vanities are solid back (fixings provided by others)
- Warranty - 5 years on cabinet

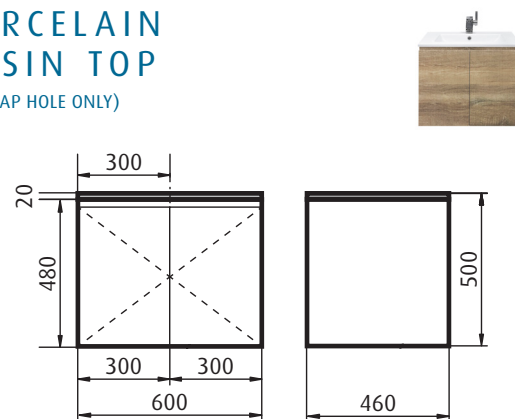
POLYMARBLE BASIN TOP

(ONE TAP HOLE ONLY)



PORCELAIN BASIN TOP

(ONE TAP HOLE ONLY)



Please note all swatches are representative of colour/finish only, see in store for accurate representation. All measurements are in millimetres (mm). Images, specifications and dimensions correct at time of publishing. It is advised that these details be confirmed prior to construction as no liability will be taken by Forme for any changes in specifications. Tapware not included.